

Environmental

K %o Ć š}vP }v]š}}v	•-30° C ~ +60° C (-22° F ~ +140° F) / Less than 95% RH
^ š Ć} Ć P }v]š}}v •	-30° C ~ +60° C (-22° F ~ +140° F) / Less than 95% RH
/v P Ć •• W Ć} š š}}v	IP67
s v o Z •}•š v	N/A

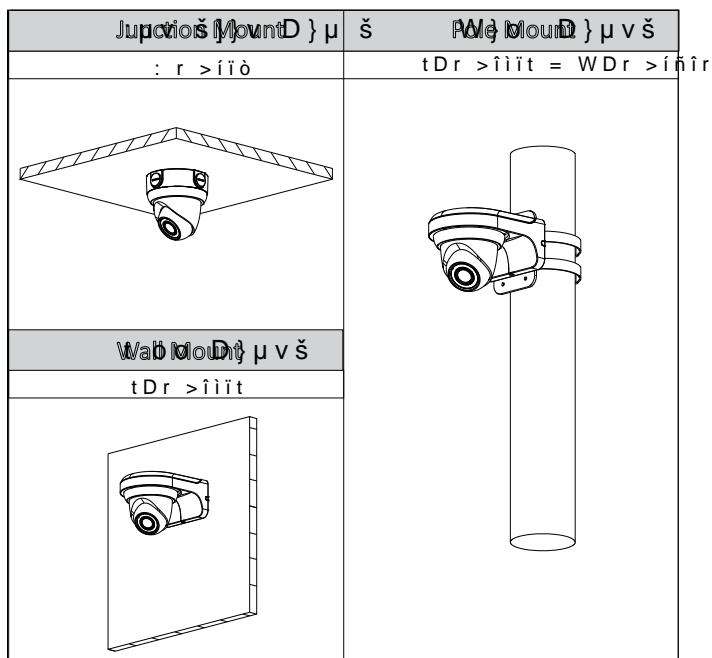
Construction

•}vP	Metal+Plastic
]u v•}}v•	Φ108mm×84.9mm(4.25"×3.15")
E š t]PZš	0.23Kg(0.51lb)
'Ć}•• t]PZš	0.387Kg(0.85lb)

Accessories

Optional:

: r > i i ò tDr > i i t WDr > i i r
: μ v š } } v Æ t o o u } μ v š W } o u } μ v š



Dimensions (mm/inch)

