

# Changing Output Mode

The method of changing output modes may vary between models, the different methods are shown as below

---

## Method 1



To select the video output mode push and hold the OSD joytick in for 5 seconds, do this several times until desired output is selected. Output mode will display on screen when format is changed.

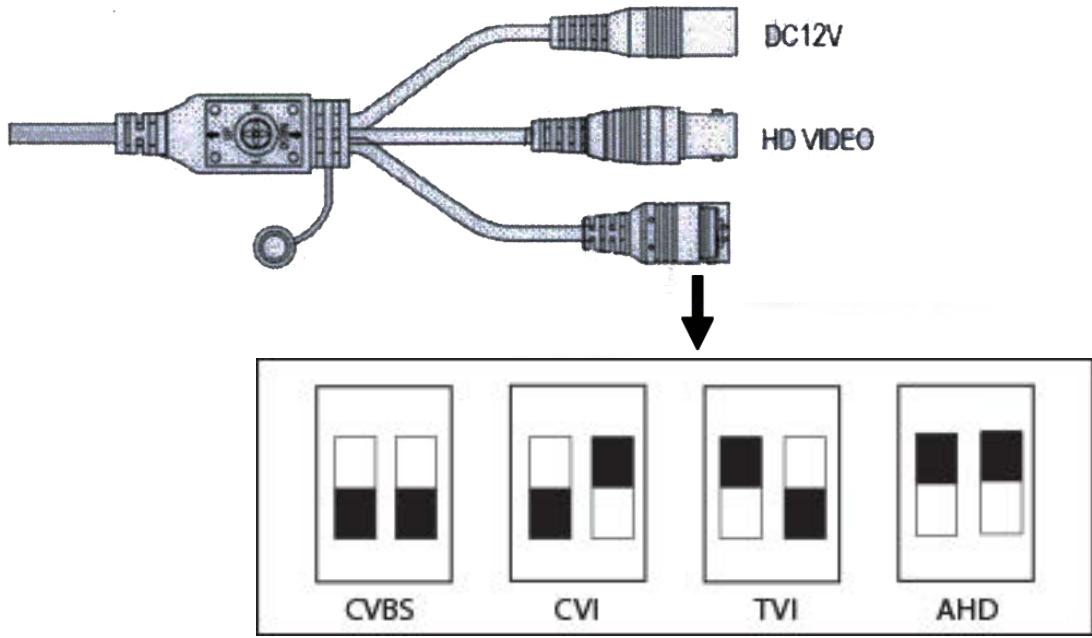
---

## Method 2

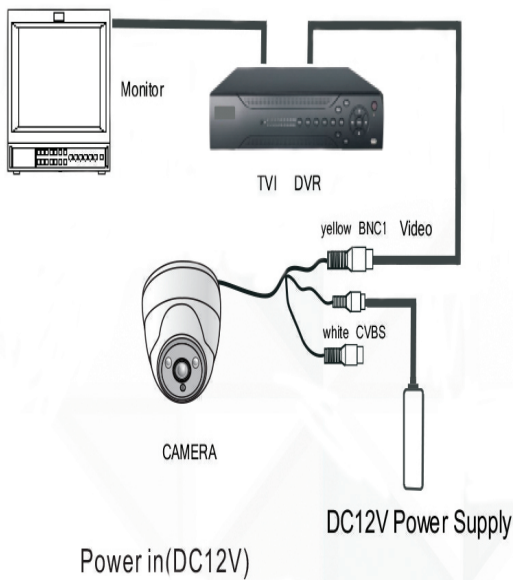


To select the video output mode push and hold the OSD joytick in the direction for desired output. The outputs are displayed to show what direction to hold the OSD in. Output mode will display on screen when format is changed.

# Method 3



To select the video output mode, slide the switches to the position shown for desired output.  
The outputs are displayed to show in which position each switch should be in.  
The switches may be adjusted at any time before or after powering on the camera.



**UP/DOWN**----- Adjusts the field angle of lens

**LEFT/RIGHT**----- Adjusts the focus lenth to clear image